

European Championships

Buochs

from 26/08/2006 to 02/09/2006

Preliminary - Individual Results

Rank	Competitor	Country	Total	Panel 1	Panel 2	Panel 3	Panel 4
1	MATT Roland	LIE	2995.02	987.44	1000.00	1000.00	995.02
2	PAYSANT-LE ROUX Christophe	FRA	2990.42	1000.00	980.16	990.42	1000.00
3	SILVESTRI Sebastiano	ITA	2903.56	960.28	980.52	919.91	962.75
4	PAYSANT-LE ROUX Benoît	FRA	2850.40	946.71	936.03	936.08	967.61
5	CARRIER Stéphane	FRA	2840.15	996.83	880.85	906.96	936.37
6	MATT Wolfgang	LIE	2831.61	937.79	911.37	945.87	947.96
7	ZEINER Markus	AUT	2829.38	987.91	889.87	924.07	917.40
8	DANKSAGMUELLER Helmut	AUT	2792.77	970.16	840.54	899.03	923.58
9	WISSINGER Markus	GER	2758.76	953.32	892.02	901.33	904.11
10	MAYR Gerhard	AUT	2737.65	899.99	907.10	863.68	930.56
11	RUBIN Marc	SUI	2733.34	959.53	863.81	858.70	910.01
12	BRESCI Andrea	ITA	2732.18	896.60	911.07	911.46	909.66
13	SCHADEN Bernhard	SUI	2727.76	908.34	875.72	895.28	924.14
14	LAMMEL Christian	GER	2712.81	907.54	894.55	884.38	910.72
15	PRAT Isaac	ESP	2691.92	929.24	844.69	876.97	885.71
16	FREMMING Ola	NOR	2686.72	897.65	855.40	873.60	915.47
17	GRASELLI Andrea	ITA	2672.16	866.35	882.19	871.31	918.66
18	ULSAMER Günther	GER	2667.65	922.24	840.63	308.33	904.78
19	MARQUET Philippe	BEL	2655.49	367.51	898.75	855.55	901.20
20	DRACK Patrick	SUI	2652.28	864.28	864.92	887.93	899.43
21	HELENO Bruno	POR	2643.33	925.43	825.20	844.22	873.67
22	SCHAEDLER Nick	LIE	2624.93	902.50	761.75	841.67	880.76
23	DIERICKX Benoît	BEL	2623.15	880.00	853.95	846.34	889.19
24	SELVA Massimo	SMR	2615.01	901.31	844.40	869.30	823.54
25	OLSSON Bernt	SWE	2610.90	909.19	818.02	837.06	864.65
26	POKORNY Frantisek	CZE	2588.10	892.71	838.86	850.80	844.58
27	PETTERSEN Kjell Tore	NOR	2578.39	874.74	840.16	828.93	863.49
28	ROMBAUT Joan	ESP	2575.19	868.61	829.61	835.75	870.83
29	ZARDINI Jean-Pierre	BEL	2555.52	852.65	832.37	854.37	848.50
30	VAN VLIET Danny	NED	2550.83	894.53	791.90	811.57	844.73
31	KEANE Ray	IRL	2530.92	850.36	764.31	804.27	876.30
32	HARROP John	GBR	2527.29	892.20	804.28	823.06	812.03
33	BALFOUR Angus	GBR	2526.42	842.87	832.62	850.93	829.39
34	BUTUSOV Sergey	RUS	2516.38	878.01	806.53	814.87	823.50
35	CATON Kevin	GBR	2512.28	877.26	794.66	840.35	631.96
36	KYJOVSKY David	CZE	2507.99	875.92	804.87	827.20	763.66
37	HINRICHSN Peer	DEN	2496.33	827.54	814.50	799.07	854.29
38	SWIDEREK Piotr	POL	2488.94	853.06	816.66	780.90	819.22
39	O SULLIVAN Niall	IRL	2474.26	882.02	699.39	770.23	822.01
40	ZAPLETAL Ales	CZE	2439.82	777.94	788.51	835.45	815.85
41	NURILA Lassi	FIN	2430.93	838.52	790.78	752.33	801.63
42	ROMBAUT Cris	ESP	2417.33	855.53	776.69	728.55	785.11
43	URBANSKI Krzysztof	POL	2416.66	823.58	748.70	808.96	784.12
44	GEORGIADES Nicolas	CYP	2407.56	858.15	719.03	756.96	792.44
45	MARTIN John	IRL	2395.74	819.91	738.90	780.03	795.80
46	LAUGESEN Morton	DEN	2378.11	770.53	754.58	772.75	834.84
47	URBANSKI Piotr	POL	2361.02	795.58	740.56	800.02	765.42
48	YABLOKOV Alexey	RUS	2357.33	798.60	734.31	794.67	764.06
49	COSTA Antonio	POR	2357.19	795.59	747.87	788.77	772.82
50	WESTERHAUG Paul	NOR	2348.55	795.78	774.77	778.00	771.84
51	KAUKORANTA Kimmo	FIN	2343.51	824.60	717.22	748.68	770.23
52	LERAGER Finn	DEN	2340.02	820.84	743.24	745.96	773.22
53	MANDRIKA Viktor	RUS	2301.41	787.41	741.21	725.90	772.79
54	FERREIRA Rui	POR	2278.57	752.09	724.83	759.99	766.49

Rank	Competitor	Country	Total	Panel 1	Panel 2	Panel 3	Panel 4
55	BERENDSE Haijo	NED	2193.13	0.00	711.36	707.18	774.59
56	ZAHAVI Ram	ISR	2192.43	746.14	703.95	703.55	742.34
57	CHRISTODOULIDES Paris	CYP	2134.43	765.12	670.42	698.90	624.27
58	ARBEL Aviram	ISR	1986.27	665.07	507.96	690.24	630.96
59	SAISKY Daniel	ISR	1685.84	387.73	636.74	661.38	368.06

Bob SKINNER
FAI Jury President

FAI Jury Member

FAI Jury Member



European Championships Buochs

from 26/08/2006 to 02/09/2006



Semi Final - Individual Results

Rank	Competitor	Country	Total	Preliminary	Panel 1	Panel 2
1	PAYSANT-LE ROUX Christophe	FRA	2000.00	998.46	1000.00	1000.00
2	MATT Roland	LIE	1996.68	1000.00	992.85	996.68
3	SILVESTRI Sebastiano	ITA	1917.00	969.46	924.27	947.53
4	PAYSANT-LE ROUX Benoît	FRA	1903.24	951.71	939.37	951.53
5	MATT Wolfgang	LIE	1867.97	945.44	875.51	922.53
6	MAYR Gerhard	AUT	1865.52	914.07	951.46	896.37
7	ZEINER Markus	AUT	1839.70	944.69	895.00	864.66
8	SCHADEN Bernhard	SUI	1818.47	910.77	907.70	907.54
9	DANKSAGMUELLER Helmut	AUT	1803.63	932.47	871.16	859.62
10	RUBIN Marc	SUI	1801.77	912.63	889.14	857.96
11	WISSINGER Markus	GER	1790.17	921.12	861.70	869.06
12	GRASELLI Andrea	ITA	1783.95	892.20	817.87	891.75
13	PRAT Isaac	ESP	1783.92	898.80	885.12	841.00
14	BRESCI Andrea	ITA	1775.52	912.24	863.28	829.46
15	FREMMING Ola	NOR	1775.20	897.06	878.13	842.41
16	LAMMEL Christian	GER	1771.67	905.77	865.90	833.04
17	ULSAMER Günther	GER	1762.20	890.70	871.51	854.82
18	MARQUET Philippe	BEL	1757.31	886.63	840.61	870.67
19	CARRIER Stéphane	FRA	1658.53	948.29	710.24	92.55

Bob SKINNER
FAI Jury President

FAI Jury Member

FAI Jury Member

Final results:

1. Christophe Paysant-Le Roux (FRA)
2. Roland Matt (LIE)
3. Sebastiano Silvestri (ITA)
4. Gerhard Mayr (AUT)
5. Wolfgang Matt (LIE)
6. Benoît Paysant-Le Roux (FRA)
7. Bernhard Schaden (SUI)
8. Marc Rubin (SUI)
9. Markus Zeiner (AUT)
10. Helmut Danksagmueller (AUT)

- 1 FRA France**
- 2 LIE Liechtenstein**
- 3 AUT Autriche**
- 4 ITA Italie**
- 5 GER Allemagne**
- 6 SUI Suisse**
- 7 BEL Belgique**
- 8 ESP Espagne**
- 9 NOR Norvège**
- 10 GBR Grande Bretagne**
- 11 CZE République Tchèque**
- 12 IRL Irlande**
- 13 POR Portugal**
- 14 POL Pologne**
- 15 DEN Danmark**
- 16 RUS Russie**
- 17 ISR Israel**
- 18 FIN Finland**
- 19 NED Netherlands**
- 20 CYP Cyprus**
- 21 SMR San Marina**
- 22 SWE Sweden**



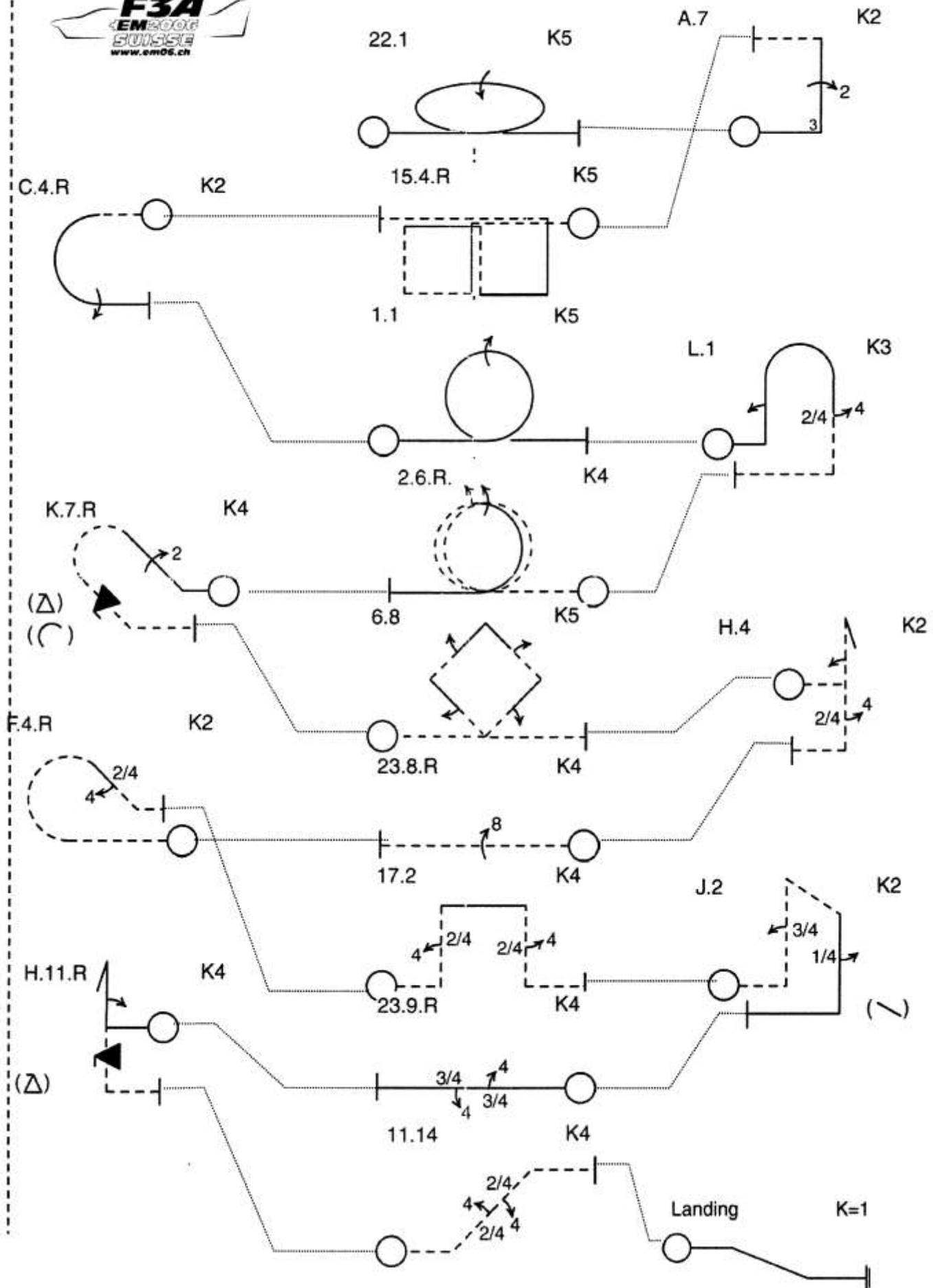
SMV X FSAM



UNKNOWN SCHEDULE 1

Take off

Wind Direction





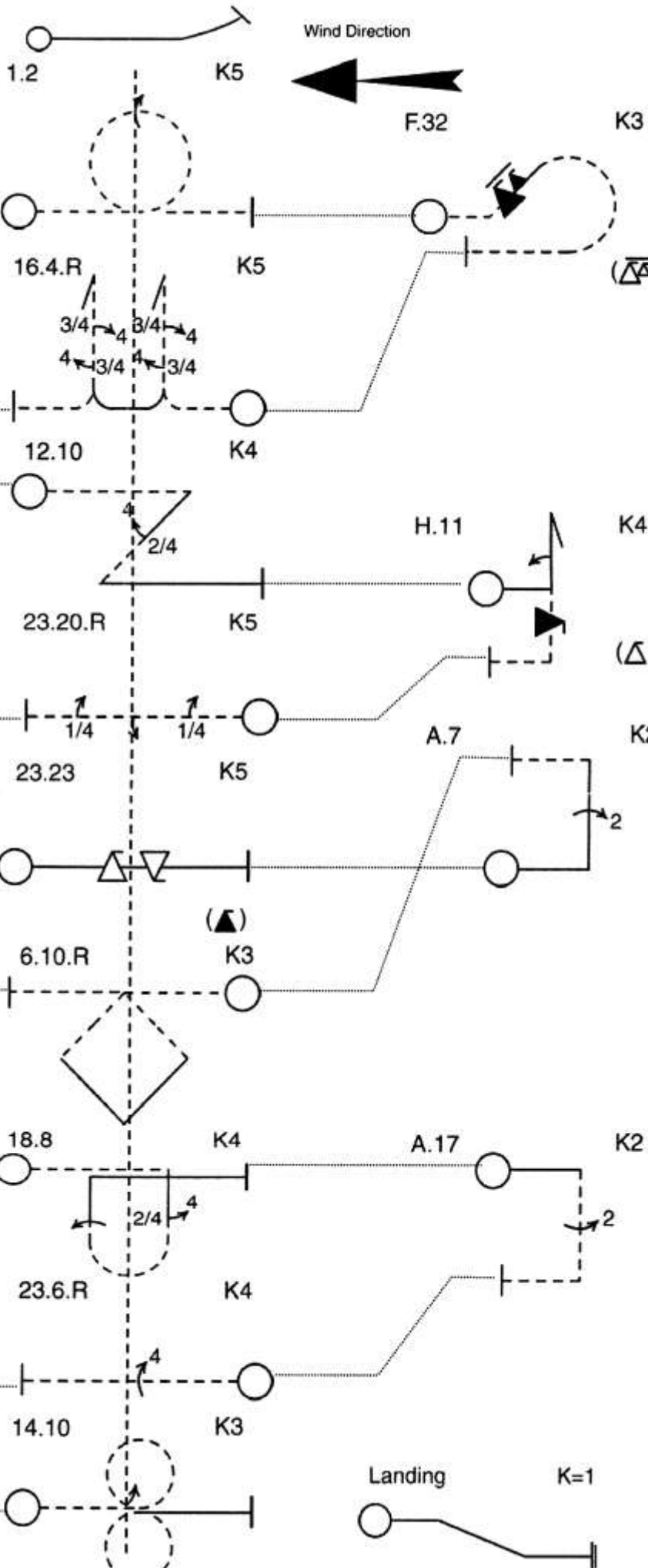
SMV X FSAM



Take off

UNKNOWN SCHEDULE 2

Wind Direction



A.4.R

K2

16.4.R

K5

K3

(ΔΔ)

12.10

K4

H.11

K4

H.8.R

K2

23.20.R

K5

(Δ)

23.23

K5

A.7

K2

F.16.R

K2

6.10.R

K3

(▲)

E.6.R

K2

18.8

K4

A.17

K2

23.6.R

K4

14.10

K3

Landing

K=1